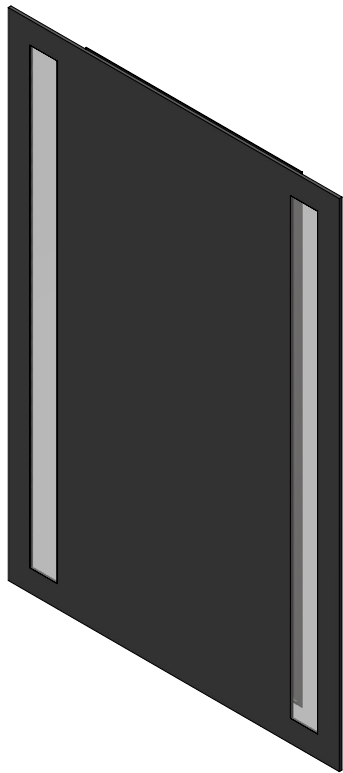


Thank you for purchasing our LED Backlit mirror. We hope that our product will provide you with a satisfying experience for many years to come. Prior to installation, examine all boxes and packages for shipping damage and compare to packing slip. If the unit has been damaged, has finishing defect, or has missing parts, then please contact our customer support department. If you have any questions, then please call our customer support department.



Front View



Back View



ETL



Appliance for indoor use only.

IMPORTANT SAFETY INSTRUCTIONS

ATTENTION:

Prior to starting the installation, please read through these instructions. Keep these instructions for future use. This will help avoid any unnecessary damage. Any breakage due to handling or installing this product is the responsibility of the installer and is not covered under the seawin warranty. Seawin recommends that two people are used to install this product due to the weight and fragility of the mirrors. Ensure the wall provides suitable support for the mirror. It is recommended that you attach to the wall studs if possible.

Please protect all primary mirror surfaces of the product. Never place the mirror directly onto a tile surface. Never place or lean mirror on its corners even though it has protectors on. Always use piece of wood or cardboard to protect the bottom edge and corners of the mirror prior to and during installation.

FAILURE TO FOLLOW INSTRUCTIONS COULD RESULT IN DEATH OR SERIOUS INJURY.

FAILURE TO FOLLOW INSTRUCTIONS VOIDS WARRANTY.

This luminaire must be mounted or supported independently of an outlet box.

Make sure electrical connections are wired correctly. Power and neutral wires must be connected to the luminaire disconnect. Insert the power wire into the black colored insert and the neutral wire into the white colored insert.

The ground must be connected. Do not defeat the safety purpose of the grounding wire inside the chassis.

The chassis must be grounded to avoid possible electrical shock.

WARNING:

Must be installed by a qualified technician.

Follow all instructions. To prevent injury, the mirror must be installed in accordance with the manufacturer's instructions. Always switch off the electrical supply at the mains during installation and maintenance.

DO NOT strike glass components with hard or pointed items. DO NOT place very hot or very cold items against or in close proximity to glass surfaces unless an adequately thick insulation material is used to prevent such items coming in contact with the glass. The nominal thickness of the mirror glass used in this product is 5mm and is film backed for safety. If the glass becomes chipped or broken replace immediately.

This product should be positioned well away from curtains and other fabrics. Never cover the mirror. This product is heated, we recommend that it is turned off after use and should never be left on for prolonged periods of time.

CAUTION:

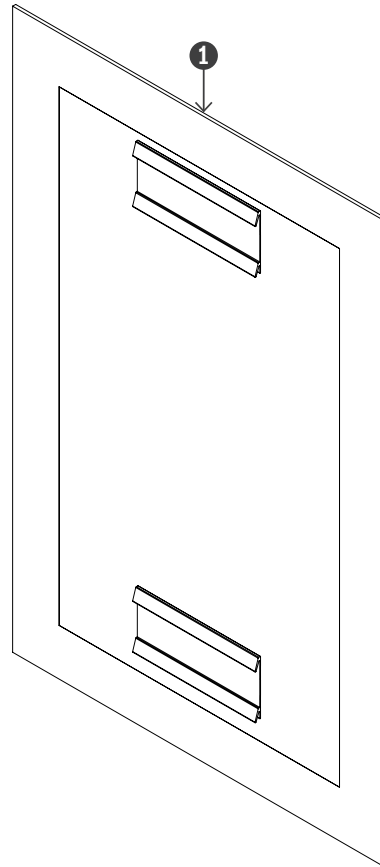
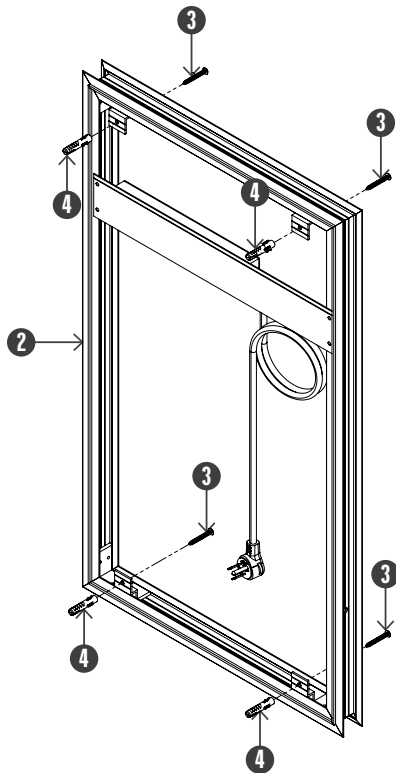
THE ONLY USER SERVICEABLE PARTS INSIDE ARE THE LAMPS.

OTHER COMPONENTS MUST BE SERVICED BY QUALIFIED ELECTRICIANS. LUMINAIRE DISCONNECT MUST BE DISCONNECTED PRIOR TO COMPONENT SERVICING.

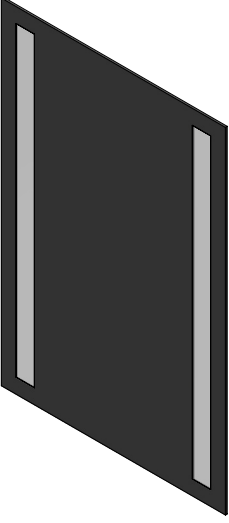
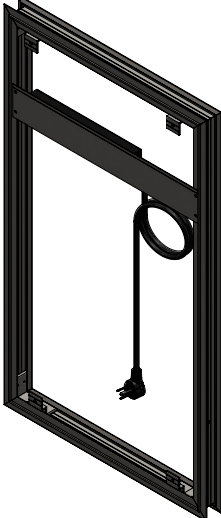

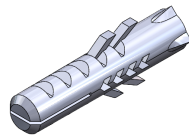
IF YOU NEED REPLACEMENT PARTS OR HAVE INSTALLATION QUESTIONS,
PLEASE CALL OUR CUSTOMER SERVICE REPRESENTATIVES.
INSTALLATIONS SHALL BE MADE ACCORDING TO MANUFACTURER'S INSTRUCTIONS AND DRAWINGS.

PARTS- EXPLODED VIEW

- ① MIRROR
- ② CHASSIS
- ③ SCREW ST4x50
- ④ WALL ANCHOR 8x40



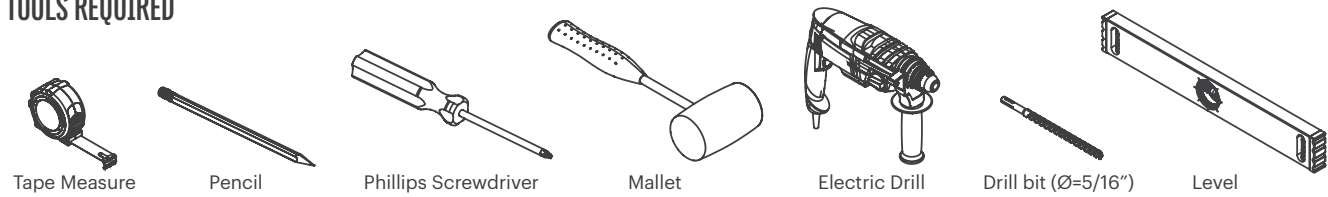
PARTS LIST

<p>1</p>  <p>Mirror</p>	<p>x1</p> <p>2</p>  <p>Chassis</p> <p>x1</p>
<p>3</p>  <p>Screw ST4x50</p> <p>x4</p>	<p>4</p>  <p>Wall Anchor 8x40</p> <p>x4</p>

PLEASE STOP THE INSTALLATION AND CONFIRM WITH FACTORY IF THE ACTUAL NUMBER OR TYPE OF PARTS IS DIFFERENT!

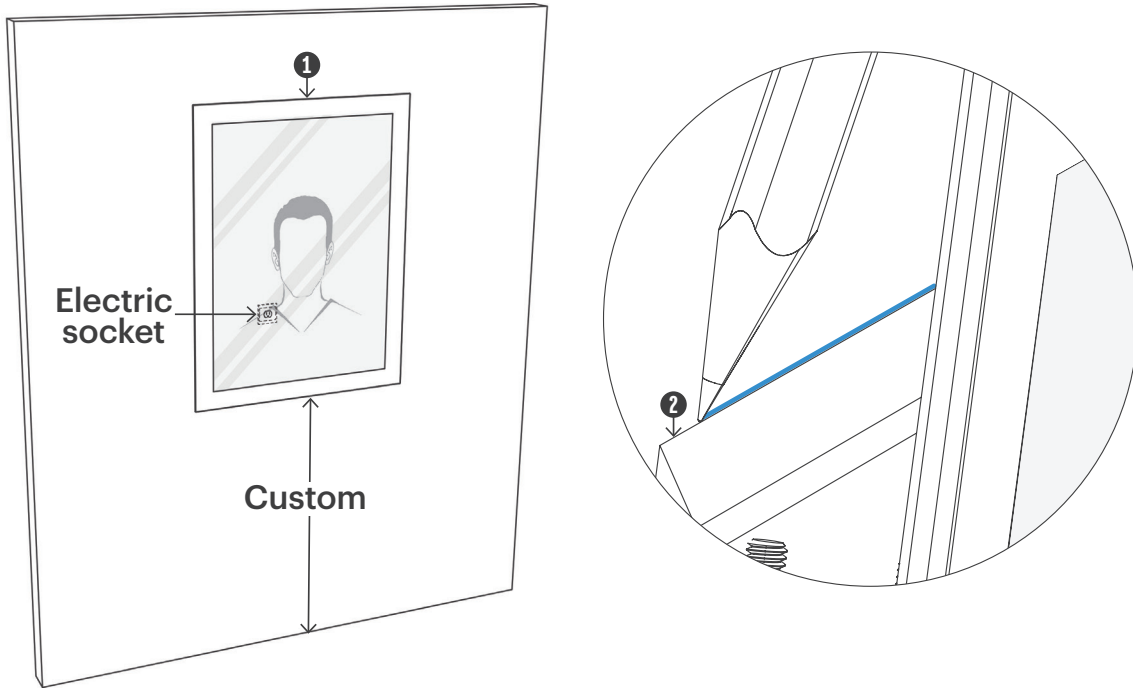
Note: Requires 8 pcs Screw ST4x50 and 8 pcs Wall Anchor 8x40 when one side is greater than 59" (1500mm).

TOOLS REQUIRED



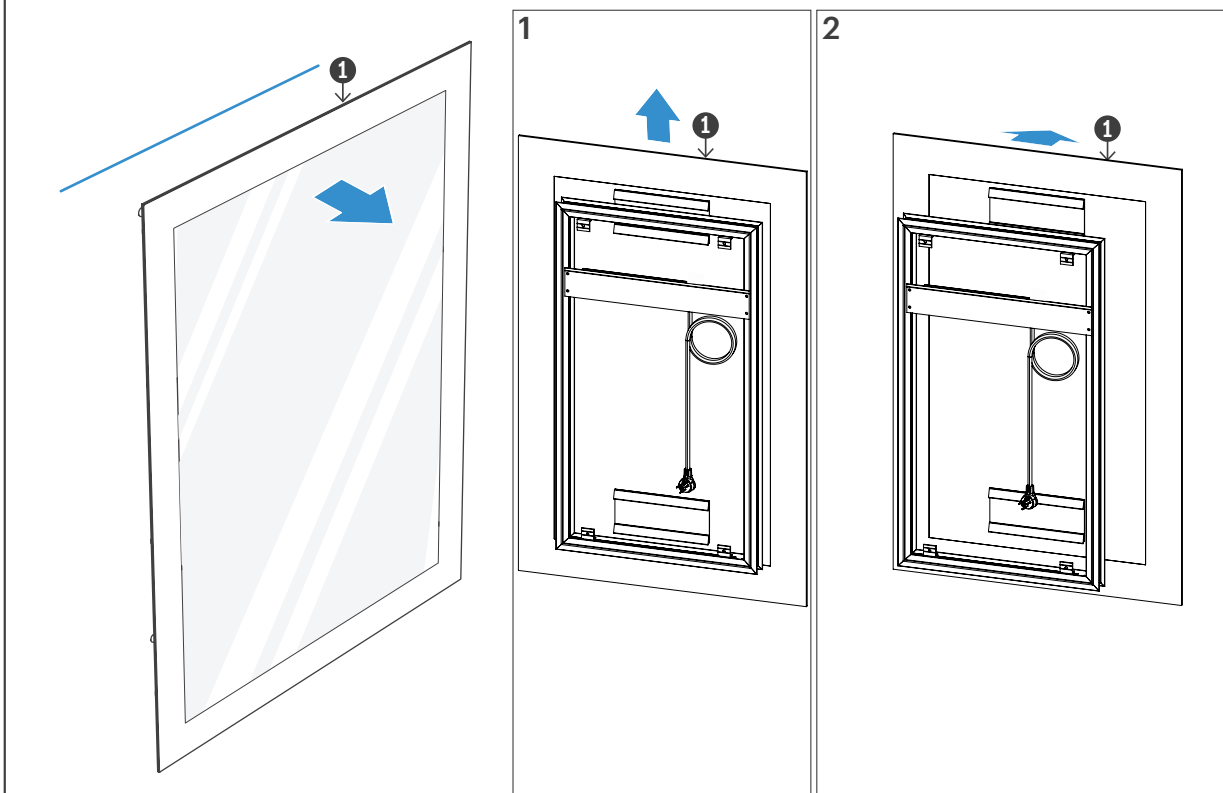
STEP 1

Before mounting **Chassis** on wall, identify mirror location on wall ensuring that the domestic electrical mains supply is within reach of the electrical entry point of the product. Hold the mirror against the wall where you want to install it, and mark the wall at the top edge of the **Chassis** with your pencil.



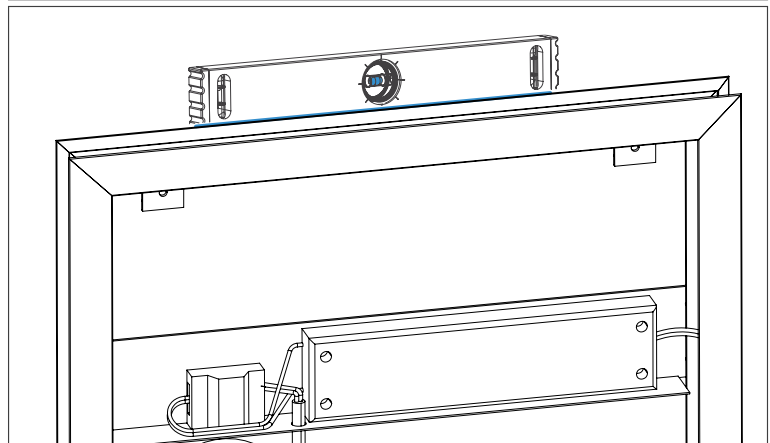
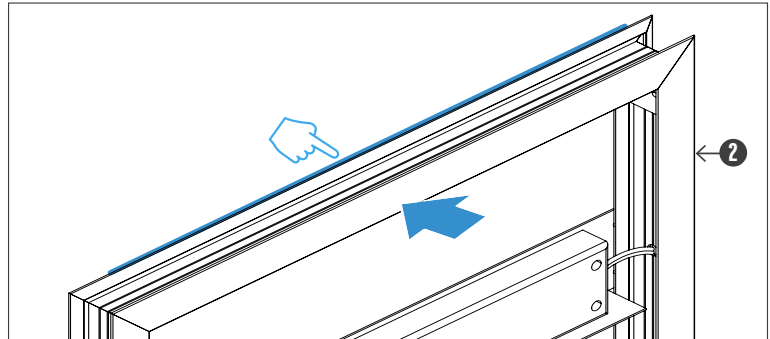
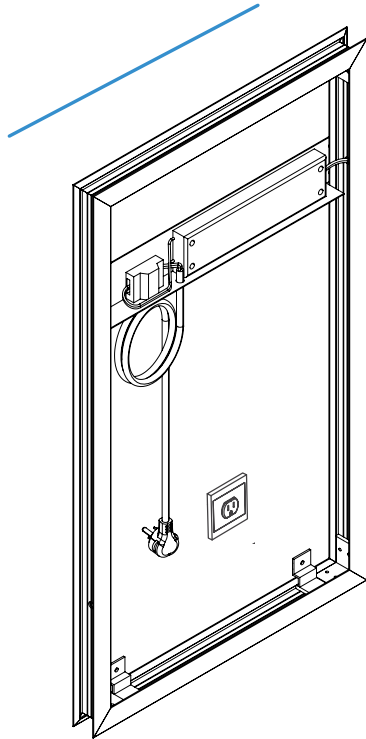
STEP 2

Remove the mirror from the wall and disassemble the **Mirror** from the **Chassis**. Separate the mirror by lifting the **Mirror** up and away from the **Chassis**.



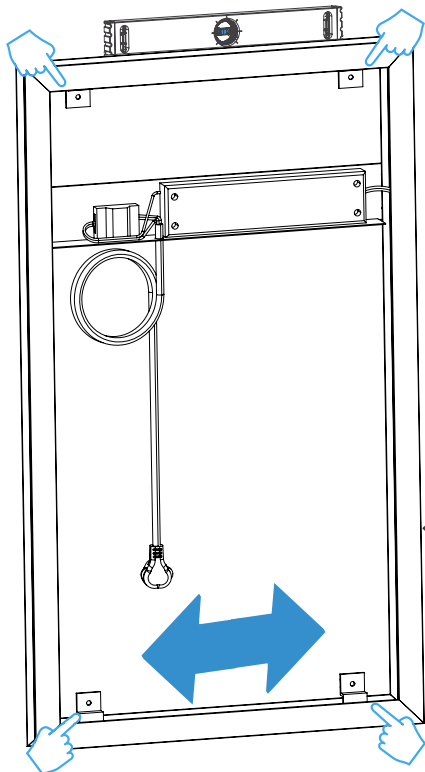
STEP 3

Place the **Chassis** on outlined positions and level it horizontally by using the level.

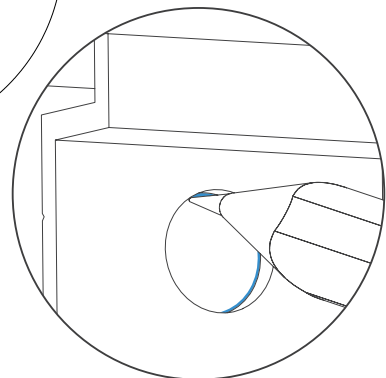
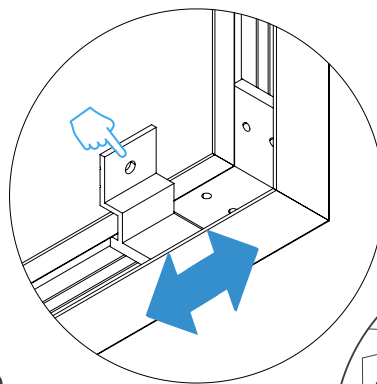


STEP 4

Slide mounting brackets closer to inner side of the **Chassis**. Mark the position of the holes for drilling using a pencil through pre-drilled holes in the mounting brackets.

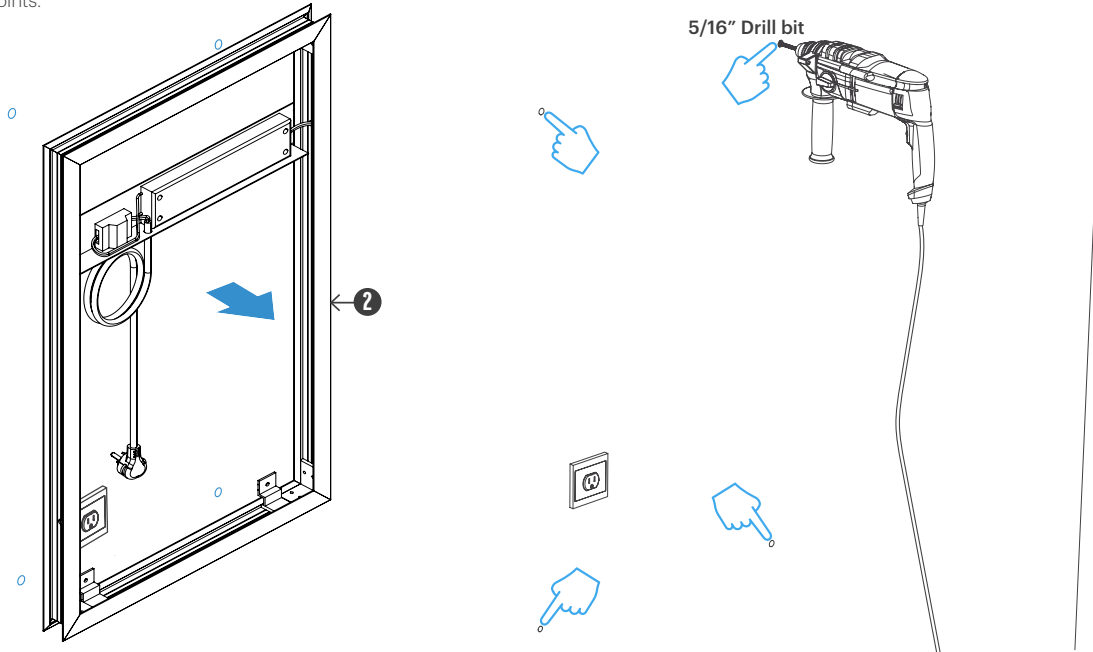


NOTE: The mounting brackets are movable and can slide across the chassis. Preferably, position them against the backing or beams for a sturdier installation.



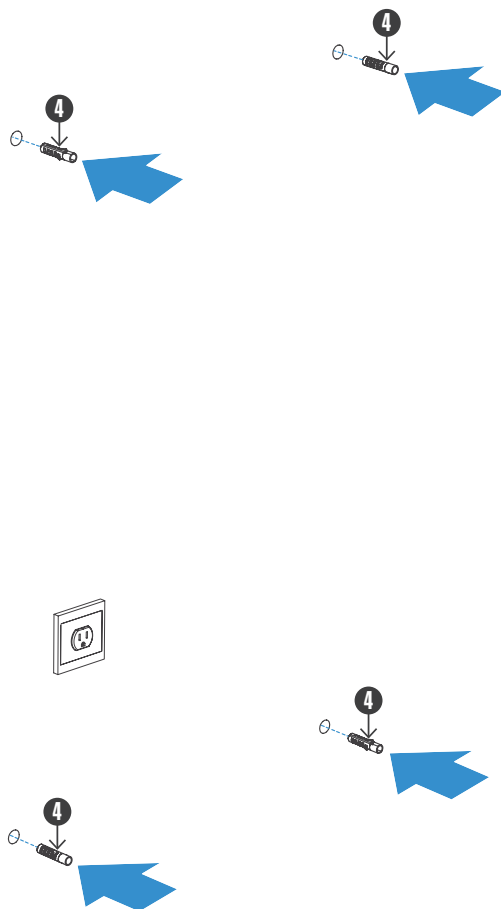
STEP 5

Remove the **Chassis** from the wall and drill the holes on the wall using \varnothing 5/16" drill bit. Before drilling, ensure there are no hidden cables or pipes behind the mounting points.

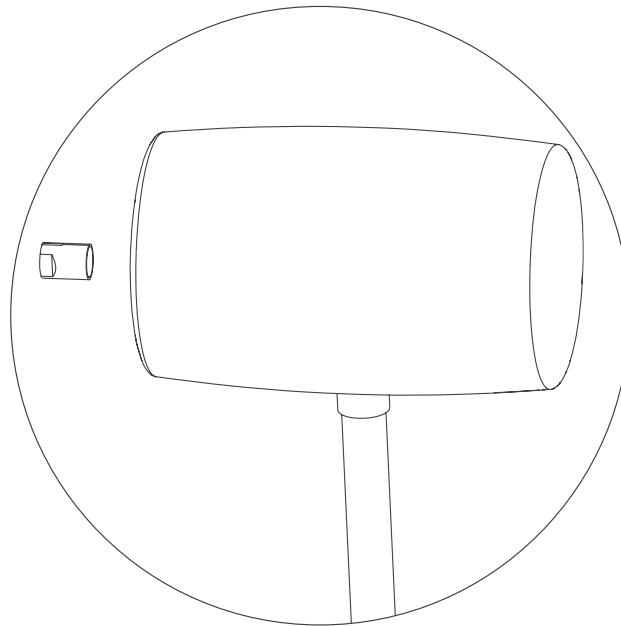


STEP 6

Insert the **Wall Anchors**.

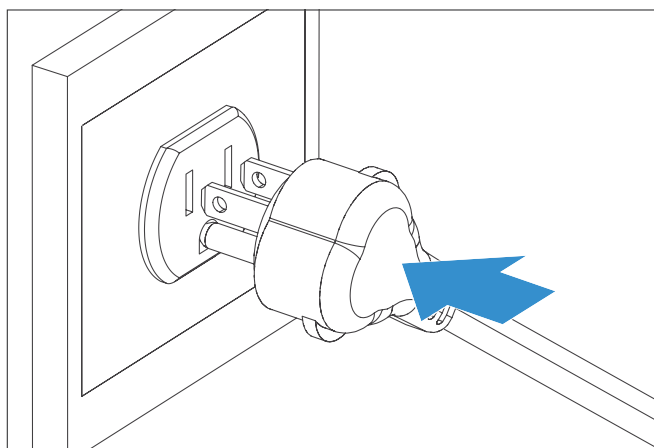
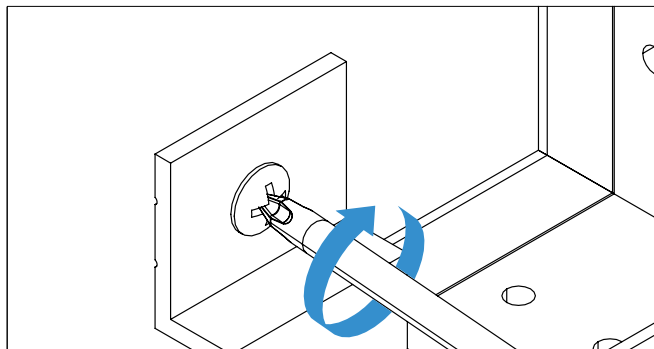
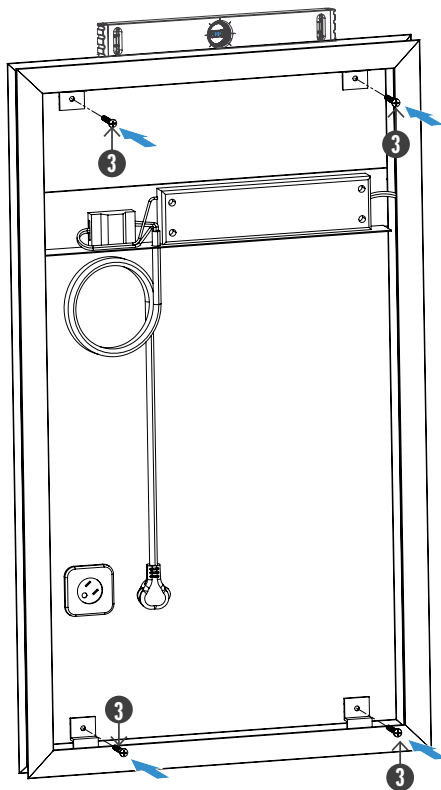


NOTE: The wall anchor supplied are only suitable for solid stone / brick walls. For certain wall types, a special anchor may be necessary! Please purchase the screws and anchor suitable for your wall at your local hardware store.



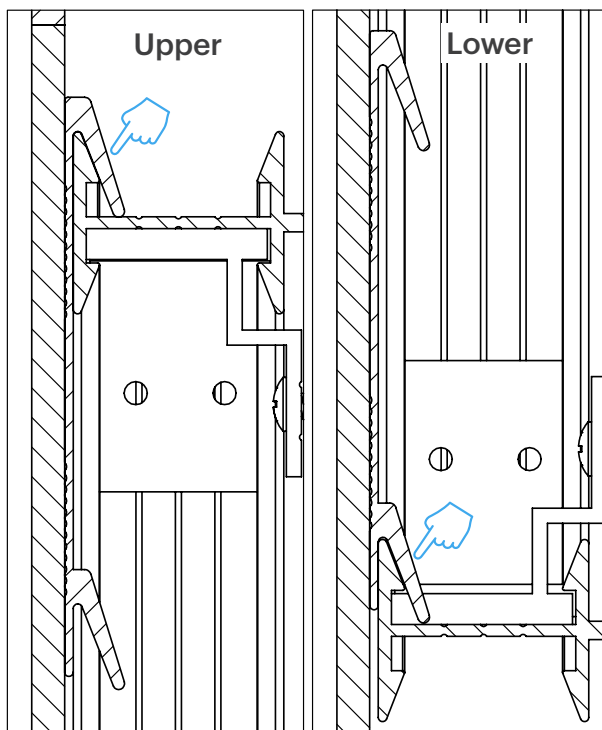
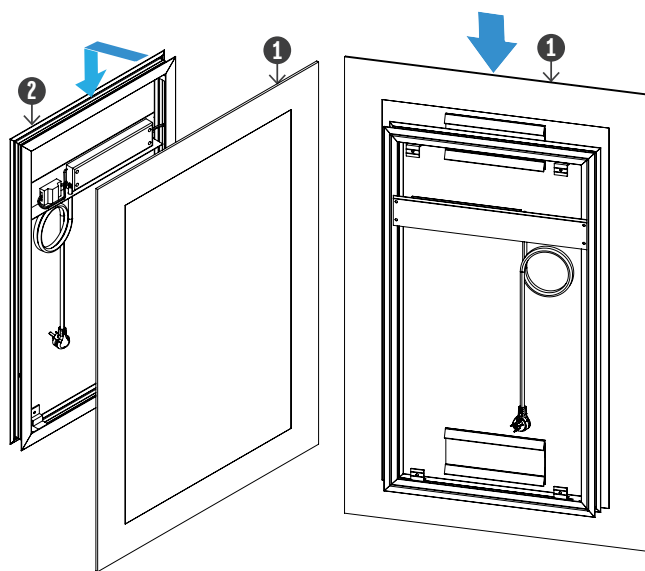
STEP 7

Place the **Chassis** on the positions on the wall, hold it in position and fasten the **Chassis** using the **Screws ST4x50** through the holes in the mounting brackets into the **Wall Anchors**. Ensure that **Chassis** is level using a level before fasten the screws. Plug in the power supply.



STEP 8

Hang **Mirror** on **Chassis** by sliding the **Mirror** down inserting the **Chassis** tabs into the hanger slots.



Product Maintenance

CLEANER

The best and safest cleaner for a mirror is clean, warm water used with a soft cloth. Be careful not to allow the edges of the mirror to get or remain wet over a period of time. Clean off all the water as soon as possible using a soft, damp cloth so that to avoid stains on the surface. Do not allow moisture to come into contact with the electrical components.

If using a commercial glass or mirror cleaner, be sure to use a standard brand of mirror cleaner that does not contain ammonia or vinegar. Do not use Windex.

APPLICATION

Never spray any cleaner directly on to a mirror. Instead apply the cleaner to a soft cloth and then wipe the mirror. Always use soft, grit-free cloths when cleaning a mirror to reduce chances of scratching the surface.

FINISH

Be sure to dry all joints and edges thoroughly to be certain no commercial cleaner comes in contact with the edge and backing.

MAINTENANCE

DO NOT strike glass components with hard or pointed items. DO NOT place very hot or very cold items against or in close proximity to glass surfaces unless an adequately thick insulation material is used to prevent such items coming in contact with the glass.

If the glass becomes chipped or broken replace immediately. For replacement glass and other components contact customer services at the address below.