

Technical Specification

The Oplex Collection virtually glows with an integrated LED ribbon bordering just inside the highly reflective mirror.

OPLEX



FEATURE HIGHLIGHTS

- LED technology mirror
- Copper-free and corrosion-resistant mirror
- Lifetime up to 50,000 hours
- ETL listed
- Double water proof LED strips
- Available in variable sizes

SPECIFICATIONS

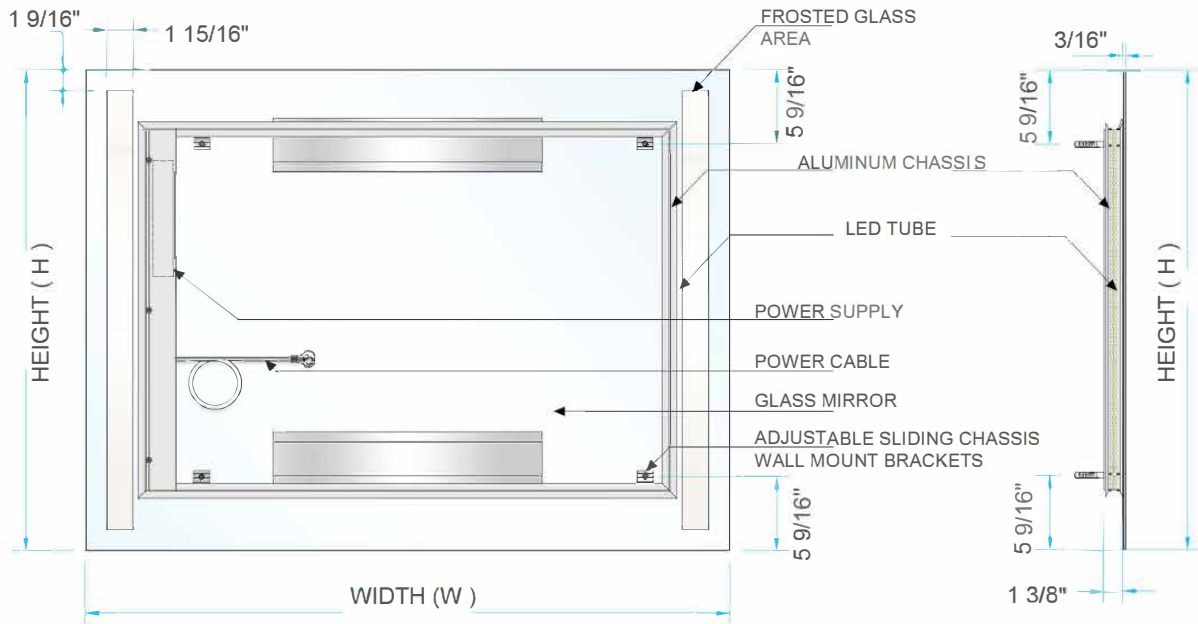
OPLEX/MODEL NUMBER: AS1403

- LED technology mirror
- Copper-free and corrosion-resistant mirror
- 3/16 in. (5mm) mirror thickness
- Energy saving LED lifetime up to 50,000 hours
- Environmentally sustainable
- Easy installation
- 120 Volt plug-in connection only
- CRI 85+
- CCT 3000 Kelvin
- Adjustable sliding chassis wall mount brackets

INSTALLATION

- 120V plug-in electrical connection
- Chassis should be mounted to wall studs or blocking
- Mounting holes on adjustable sliding chassis wall mount brackets are predrilled
- Fixture should be controlled by on/off switch

OPLEX

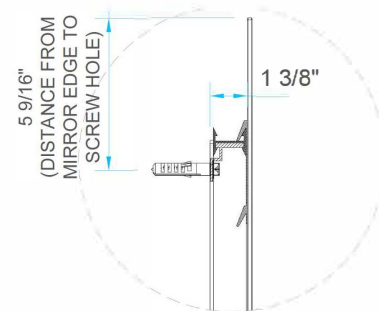


BACK VIEW

SECTIONAL VIEW



FRONT VIEW



ENLARGED DETAIL



POWER CABLE