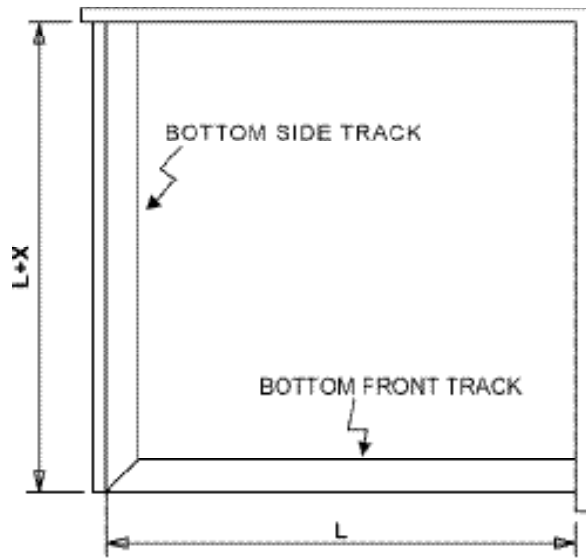
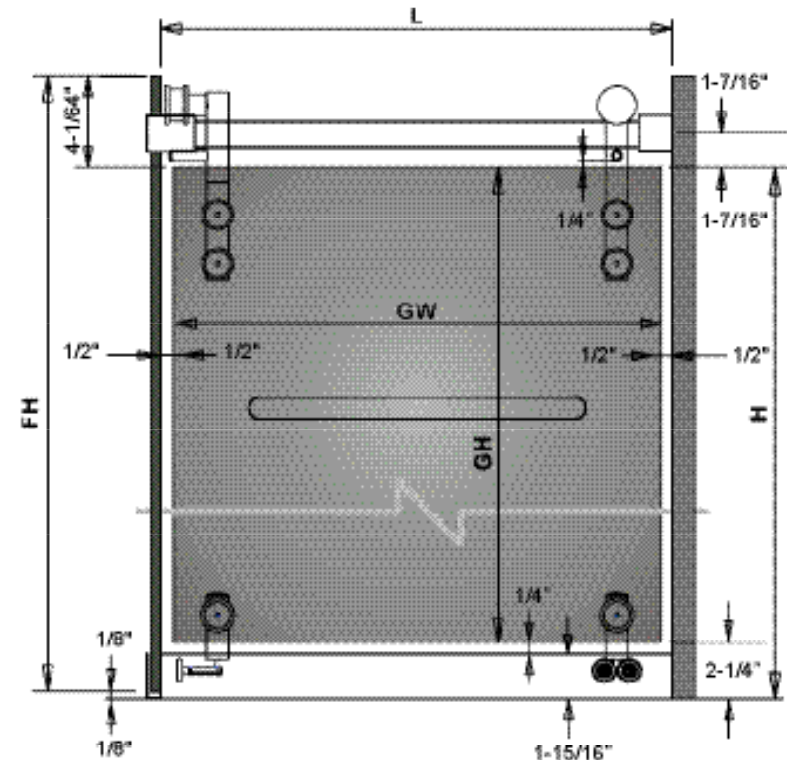


## 90° Compact Slider

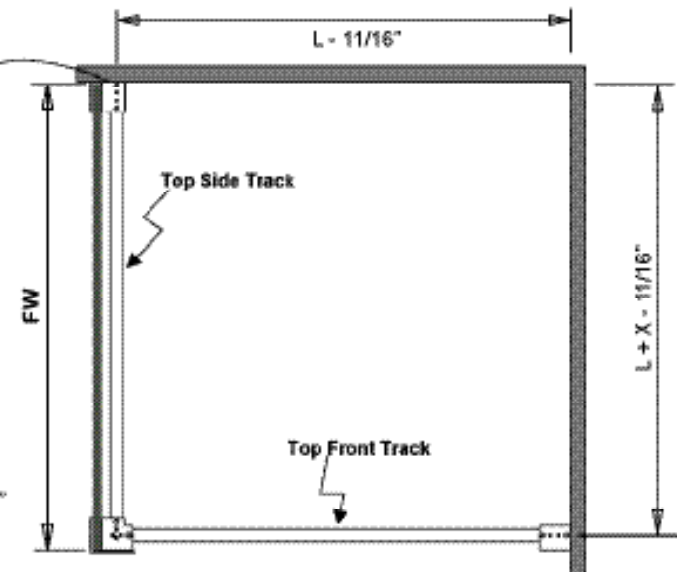
SKU: ACOM90



☆ Bottom Front Track Length =  $L$   
Bottom Side Track Length =  $L+X$



- ☆ wall connector Hole Position
- ☆ Wall Connector Hole Height =  $H + 1-7/16"$
- ☆ Top Front Track =  $L - 1-9/16"$
- ☆ Top Side Track =  $L + X - 1-9/16"$



## 90° Compact Slider

SKU: ACOM90

