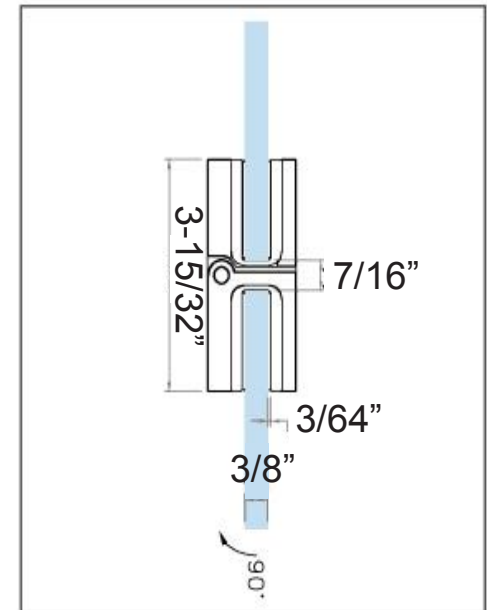
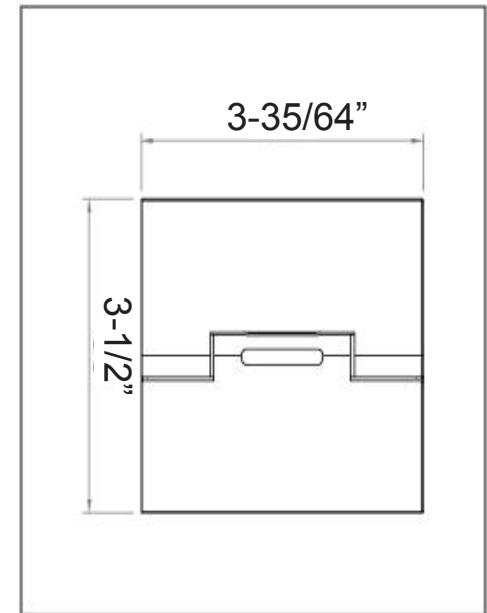
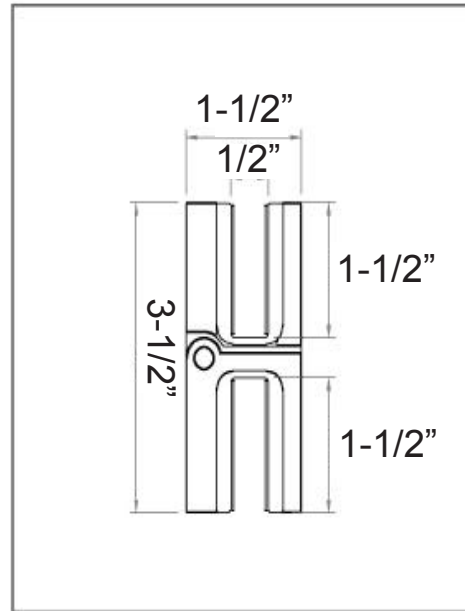




## Glass to Glass 180° Hinge

SKU: DAL180



### Features

- Maximum Door Weight for 2 Hinges: 160 lbs.
- Maximum Door Width: 36"
- Material: Brass
- Glass Thickness: 3/8"
- Closed Adjustment: 1° to 3°
- Door Stopper to be used on installation is required.

T-3252\_11/25